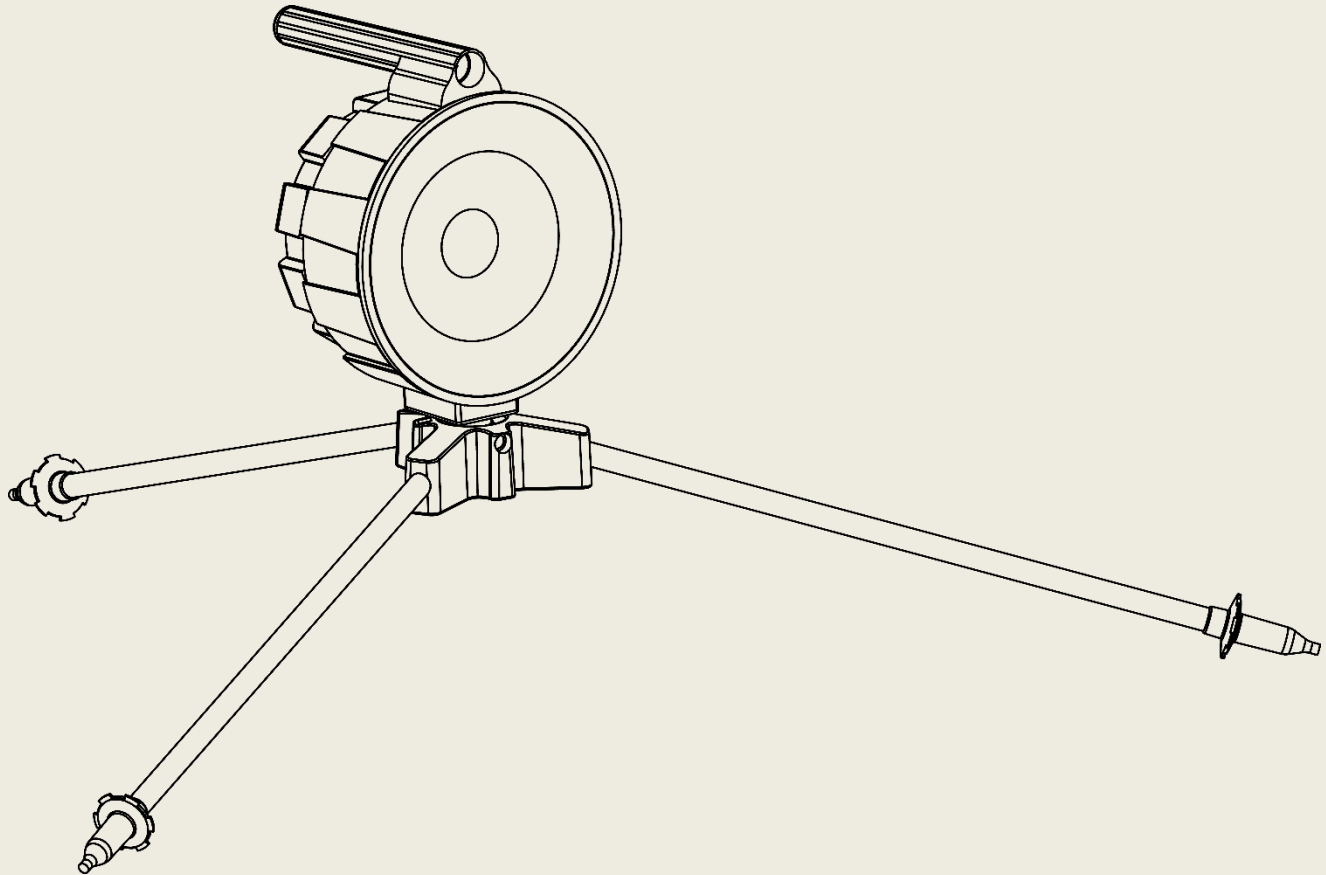


Directional Mine PK-14



Directional Mine PK-14

Terramil



- Penetration 50 mm steel from at least 50 m distance
- Compact, easy to install and use
- 1.7 kg HE
- IM available

Directional Mine PK-14



- PBX, (80% RDX)
- PETN 84%



- PBX (40% RDX)
- Comp B

Directional Mine PK-14

Terramil 



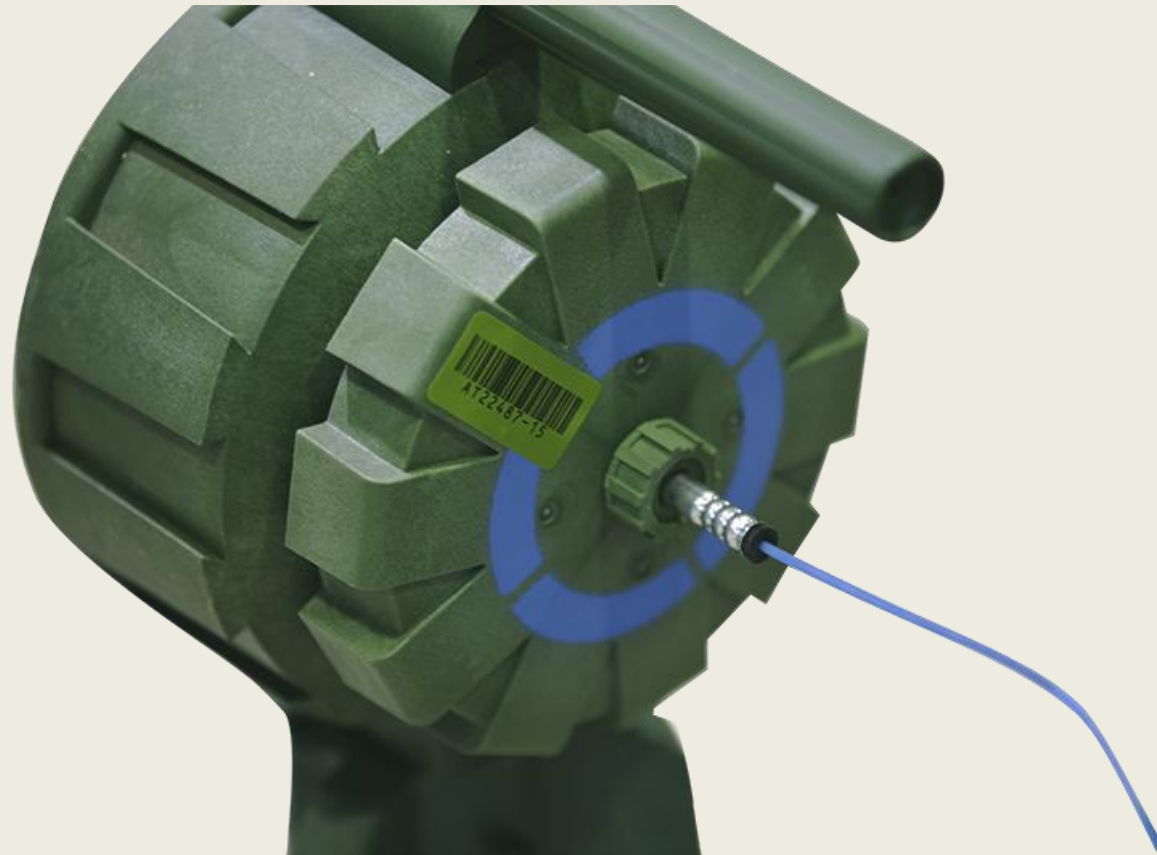
1. Mine (8 pcs)
2. Diopter sight (8 pcs)
3. STIS shocktube integrated system (8 pcs)
4. Tripod (5 pcs)
5. Tripod leg (15 pcs)
6. Wall mont (3 pcs)
7. Adapter (5 pcs)
8. Nonel adapter (4 pcs)
9. L-screw (3 pcs)
10. Strap (3 pcs)



Directional Mine PK-14T



Inert mine for installation training



Directional Mine PK-14TE



Directional Mine PK-14TE

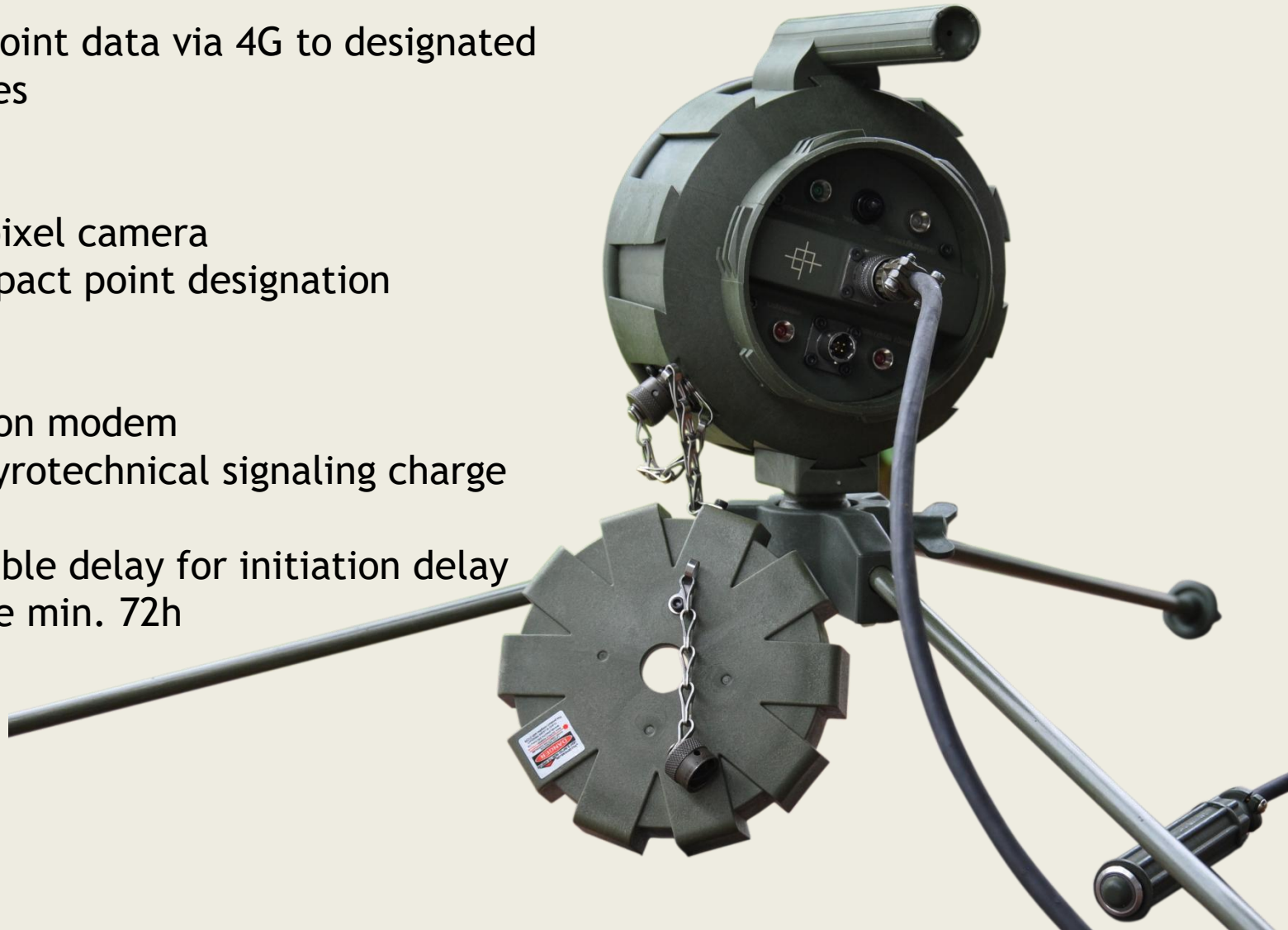


Cost effective device for moving target training

Sends impact point data via 4G to designated e-mail addresses

Technical data:

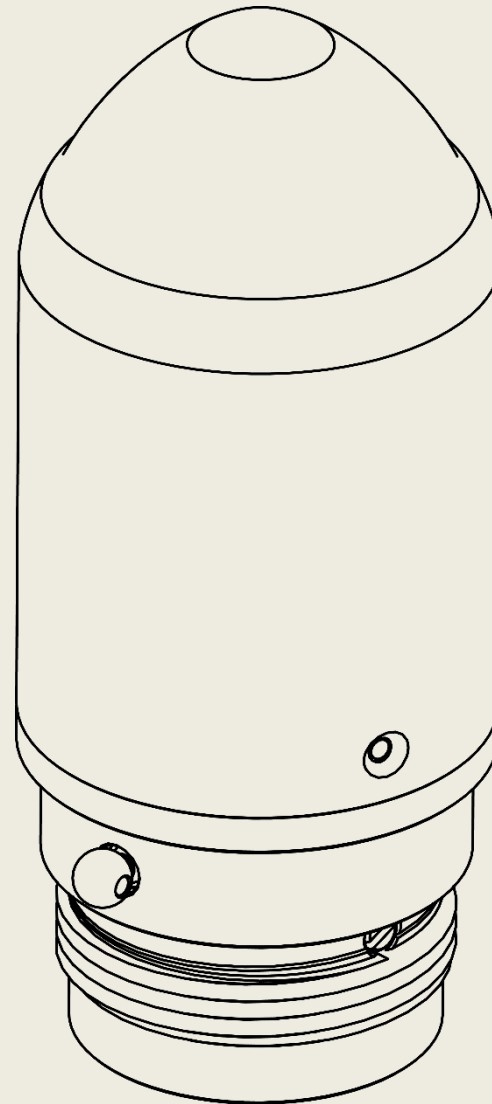
- 2592x1944 pixel camera
- Laser for impact point designation
- Flashlight
- GPS
- 4G connection modem
- Outlet for pyrotechnical signaling charge initiation
- Programmable delay for initiation delay
- Standby time min. 72h



Directional Mine PK-14TE



MORTAR FUSES

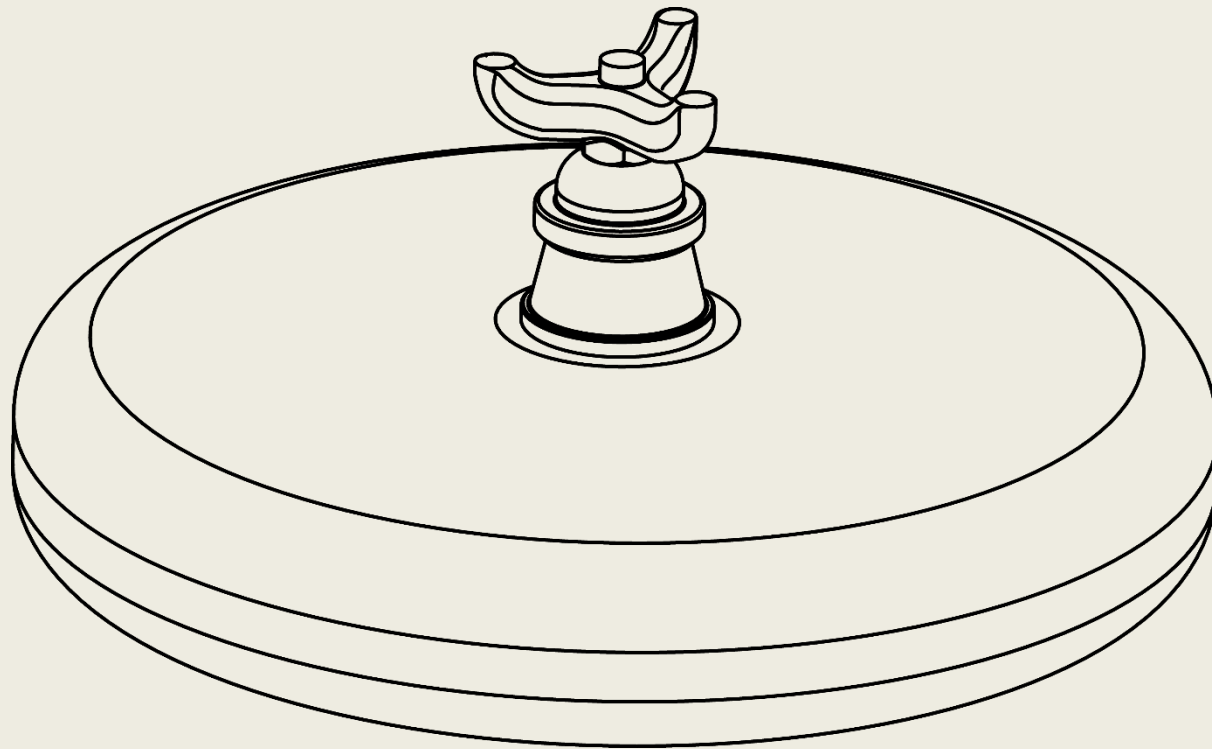


M29 training fuse for 81mm mortar

Terramil



INERT ANTI-TANK MINES



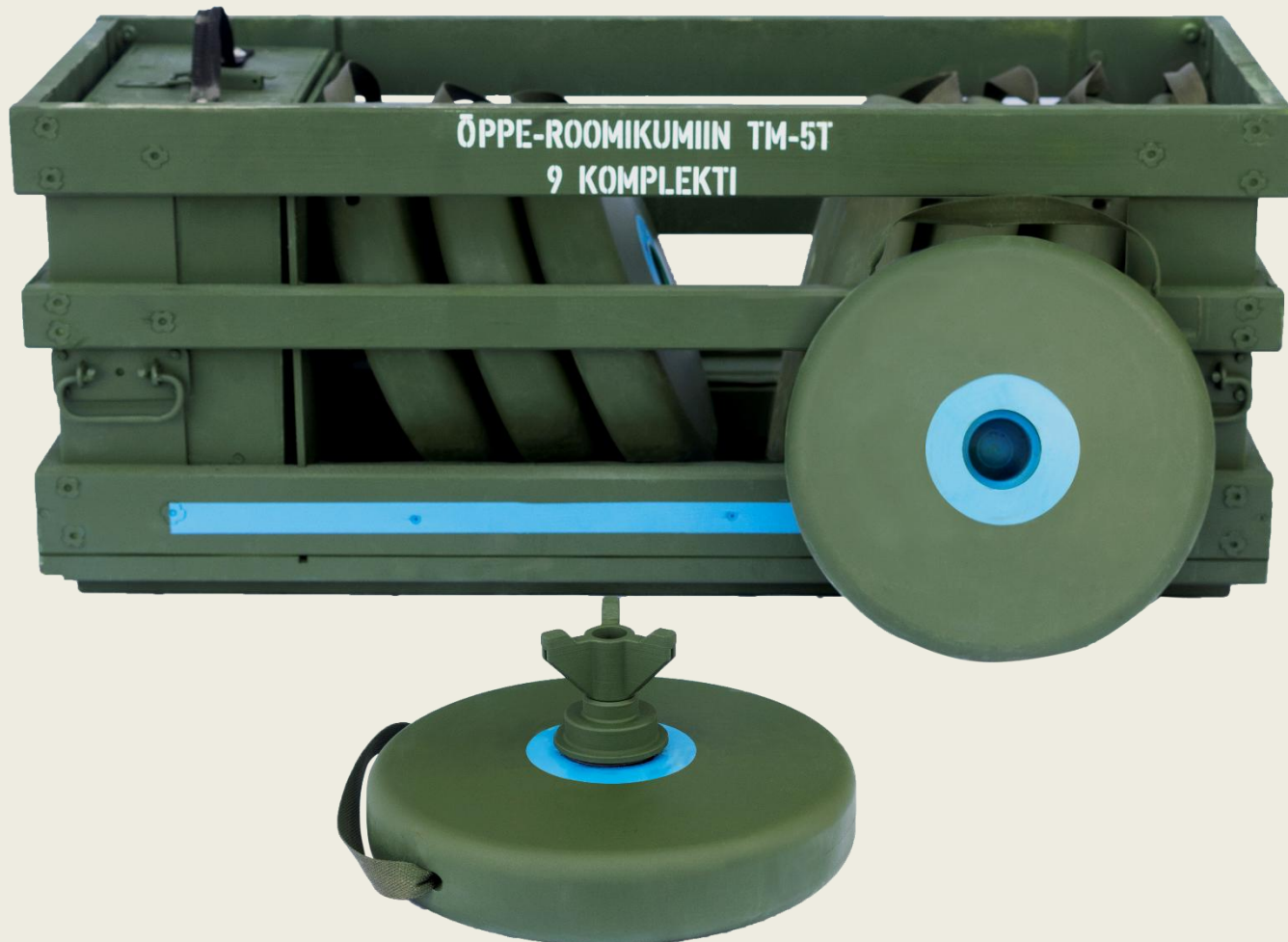
TM-M52T

Terramil 



TM-5T

Terramil



Sales contacts

Terramil

- Kristo Kirs
- +372 56477000
- kristo@terramil.ee
- www.terramil.ee

